

# NoroGard R8 Continuous Seed Treater

The NoroGard R8 is a combination of state-of-the-art engineering, innovation and design. The NoroGard R8 is sophisticated and performs top-quality application from the first to the last kernel. R8 gives you the capacity\* to treat from a batch of 3 kg up to 8 tons/hour. This enables you to use the NoroGard R8 not only in production but also for laboratory use.

The seed is measured by an integrated hectoliter weigher, to make sure you get the proper application rate to the seed. The feed wheel empty the seed in a collecting funnel with a sensor for start of treatment, with a possibility to set start and stop delay on panel to synchronize liquid delivery to the seed. On top of the spreader is a sophisticated dust evacuation that sucks the remaining dust from the seed just before the treatment. The treatment takes place in a closed system, and the NoroGard R8 is equipped with a supervising system which immediately stops the machine when failure occurs.

Compressed air supply must be available for the pneumatic air system.

The NoroGard R8 is easy operated with an automatic PLC controlled system through a touchscreen. You can order your operator control system and operator manual in any language.

The NoroGard pumps are made in house and specially designed to perform under tough conditions. NoroGard Diaphragm pump is outstanding in reliability and low maintenance compared to any peristaltic pump on the market. The NoroGard pumps have a pressure equalization for an even flow with less pulses, which



insures high dosing accuracy. The NoroGard pumps are also reversible, easy to operate and have a long life cycle.

\*wheat with a density of 850 kg/m<sup>3</sup>.

- **Compact design**
- **Perfect application quality from first to last kernel**
- **Can run batches down to 3 kg**
- **Continuous control of liquid dosage rate**
- **Maximum 8 dosage systems for liquids**
- **Add dosagesystems for powder**
- **Capacity up to 8 t/h Easy cleaning**
- **Control system with easy to handle, touch screen**
- **Remote access to status and statistics on an Ipad via internet**
- **Intergraded hectoliter weigher**
- **Integrated hectoliter weigher**

## SEED TREATMENT

**NoroGard AB**  
Agnesfridsvägen 184 B7  
213 75 Malmö  
SWEDEN

Phone: +46 411 491 50  
E-mail: [mail@norogard.se](mailto:mail@norogard.se)  
[www.norogard.com](http://www.norogard.com)

**NoroGard** 

# NoroGard R8 Continuous Seed Treater

The NoroGard is delivered with an Ipad for extern access and supervision possibilities via internet. The Ipad also functions as a remote control, You can order a mobile GPRS modem for your NoroGard R8 as an option.

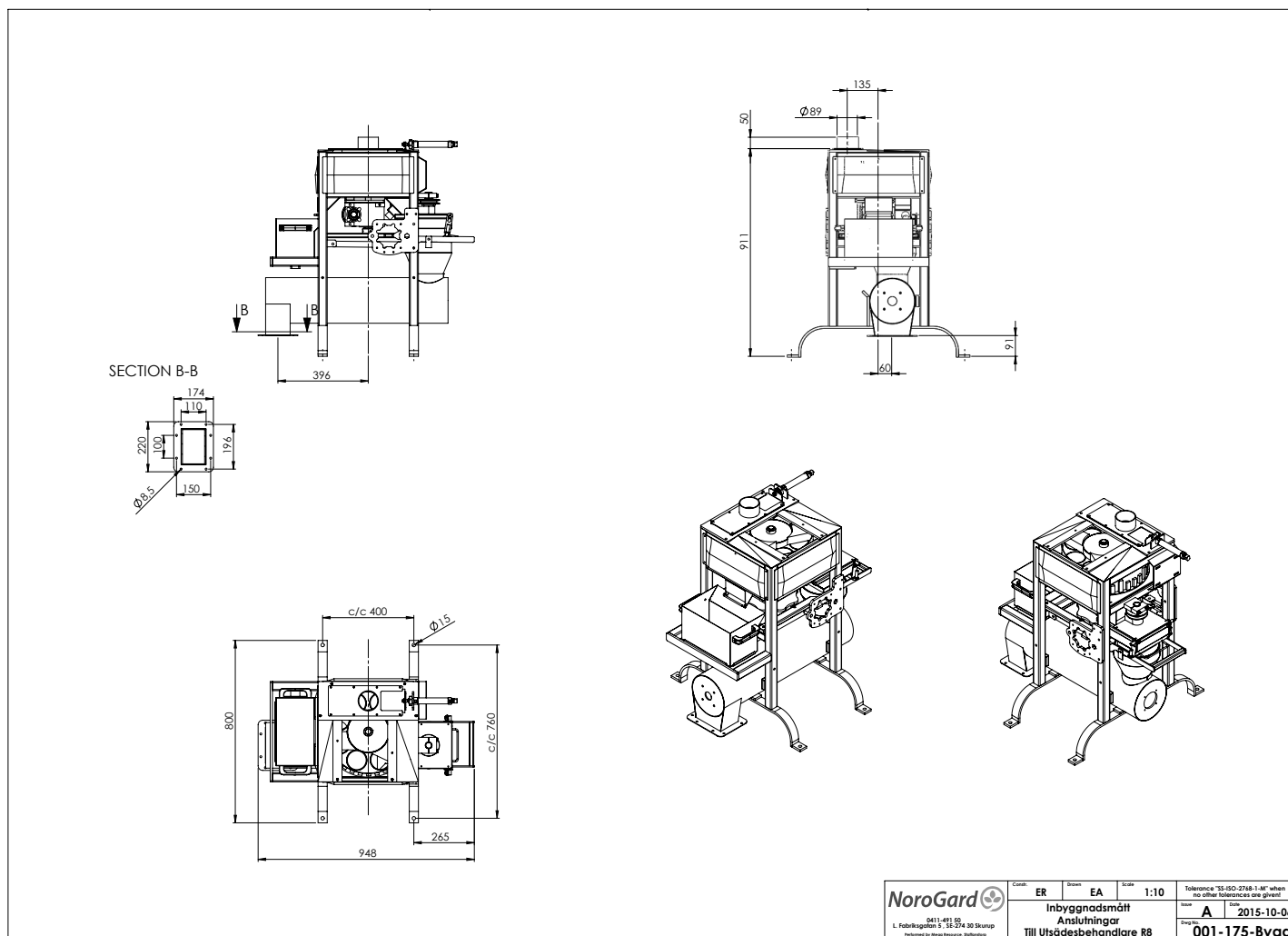
## **Technical Data:**

**Treating liquid:** Dosage system 50-1000 ml/100kg

**Max suction height:** 3m

**Weight:** 195 kg

**Need of electrical power:** ≈3.0 kW



SEED TREATMENT

## **NoroGard AB**

Agnesfridsvägen 184 B7  
213 75 Malmö  
SWEDEN

Phone: +46 411 491 50  
E-mail: mail@norogard.se  
[www.norogard.com](http://www.norogard.com)

**NoroGard**